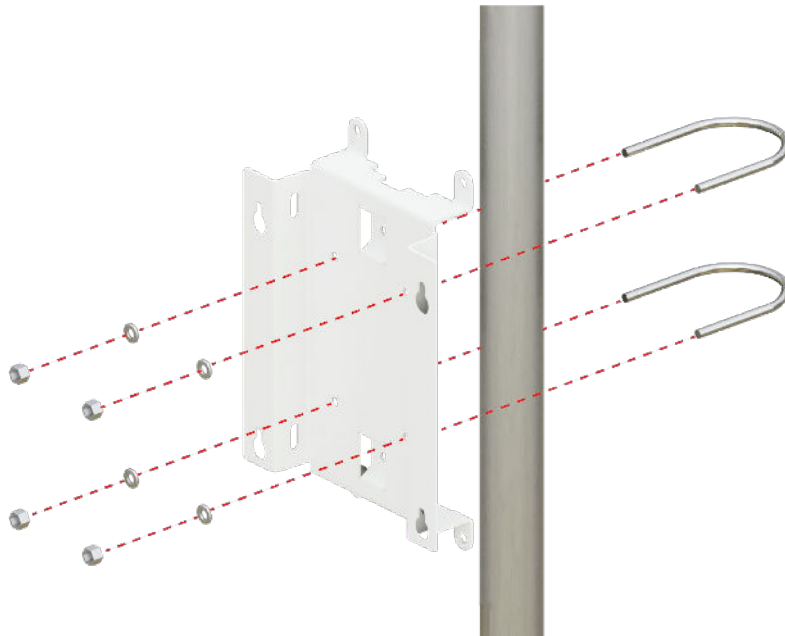
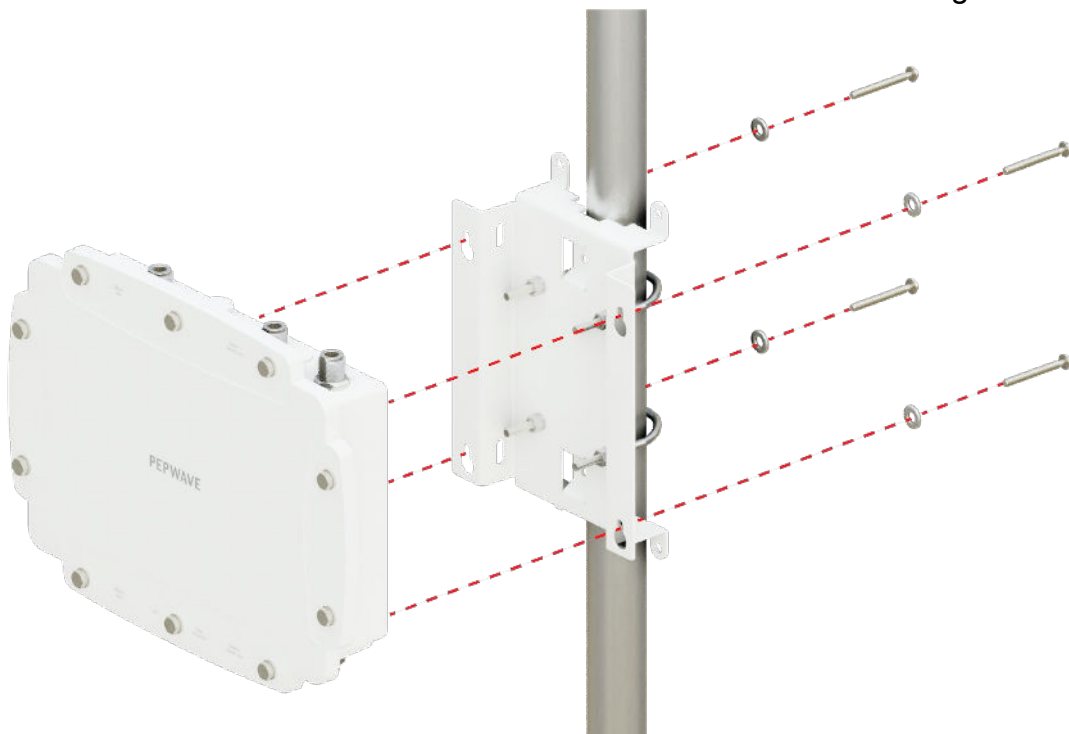
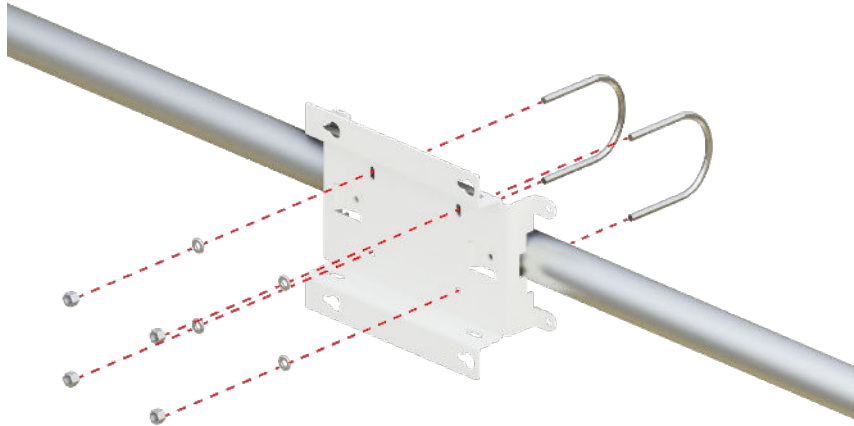


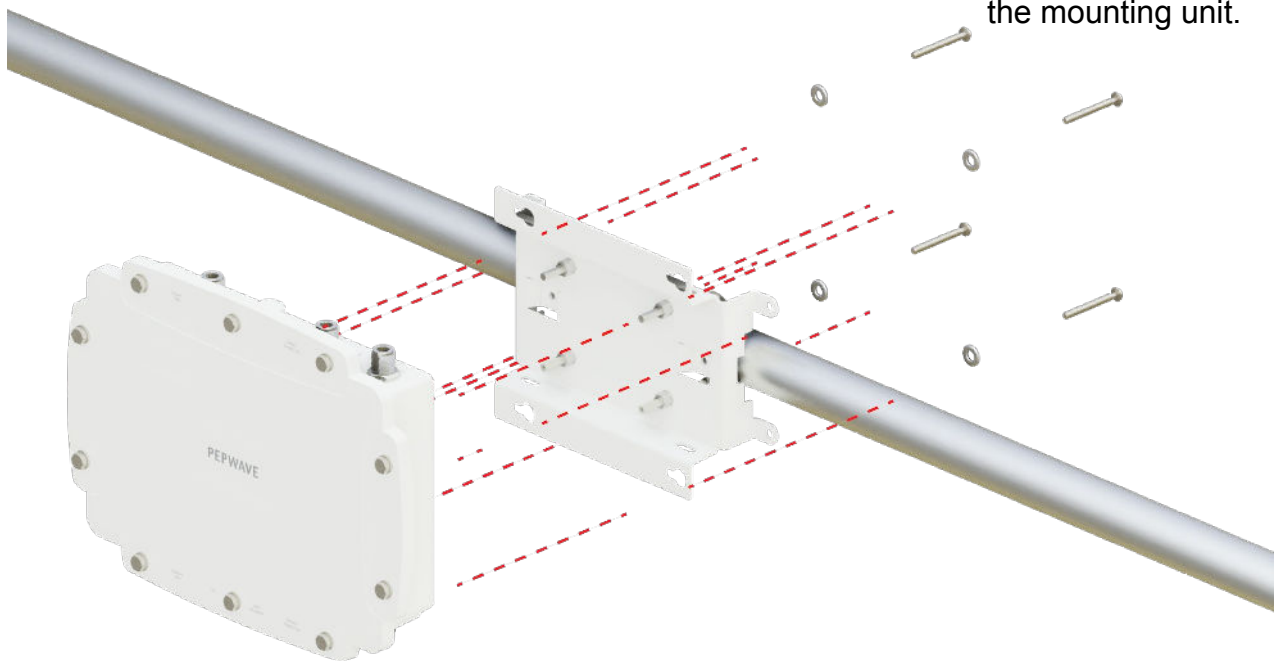
Pole Mount**Steps:**

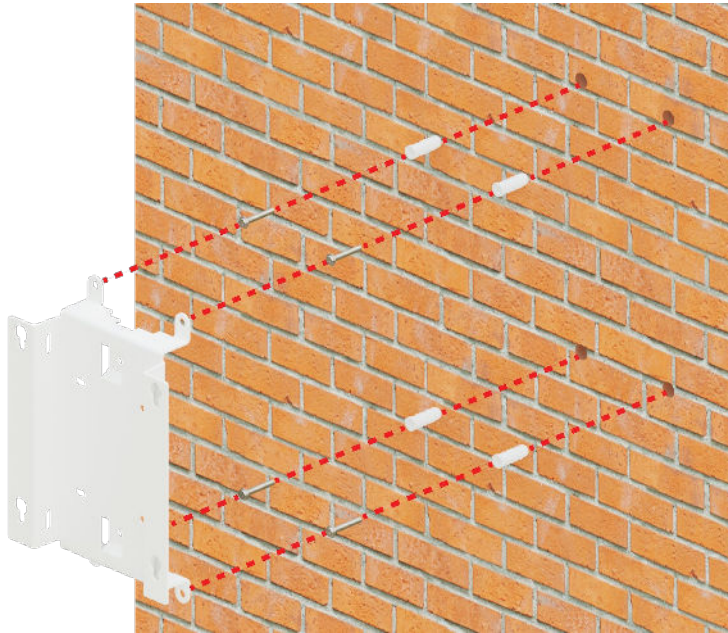
1. Align the mounting unit to the pole. Place the two semicircular connectors through the corresponding holes in the mounting unit.
2. Attach a washer and nut to each end of the semicircular connectors to secure it to the mounting unit.
3. Place the device on the mounting unit, aligning the holes on the lips of the mounting unit to the holes in the device.
4. Use washers and screws to secure the device to the mounting unit.



Horizontal Pole Mount**Steps:**

1. Align the mounting unit to the pole. Place the two semicircular connectors through the corresponding holes in the mounting unit.
2. Attach a washer and nut to each end of the semicircular connectors to secure it to the mounting unit.
3. Place the device on the mounting unit, aligning the holes on the lips of the mounting unit to the holes in the device.
4. Use washers and screws to secure the device to the mounting unit.



Wall Mount**Steps:**

1. Drill four holes into the wall according to the position of the holes on the mounting unit.
2. Insert wall plugs into each of the drilled holes.
3. Align the mounting unit vertically (large end of light-bulb shaped holes on top). Secure the mounting unit to the wall with screws.
4. Screw four screws half-way into the holes in the back of your device.
5. Hang the device onto the mounting unit.

