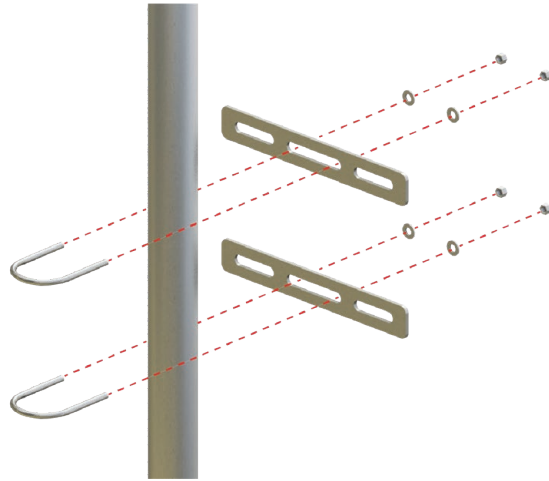




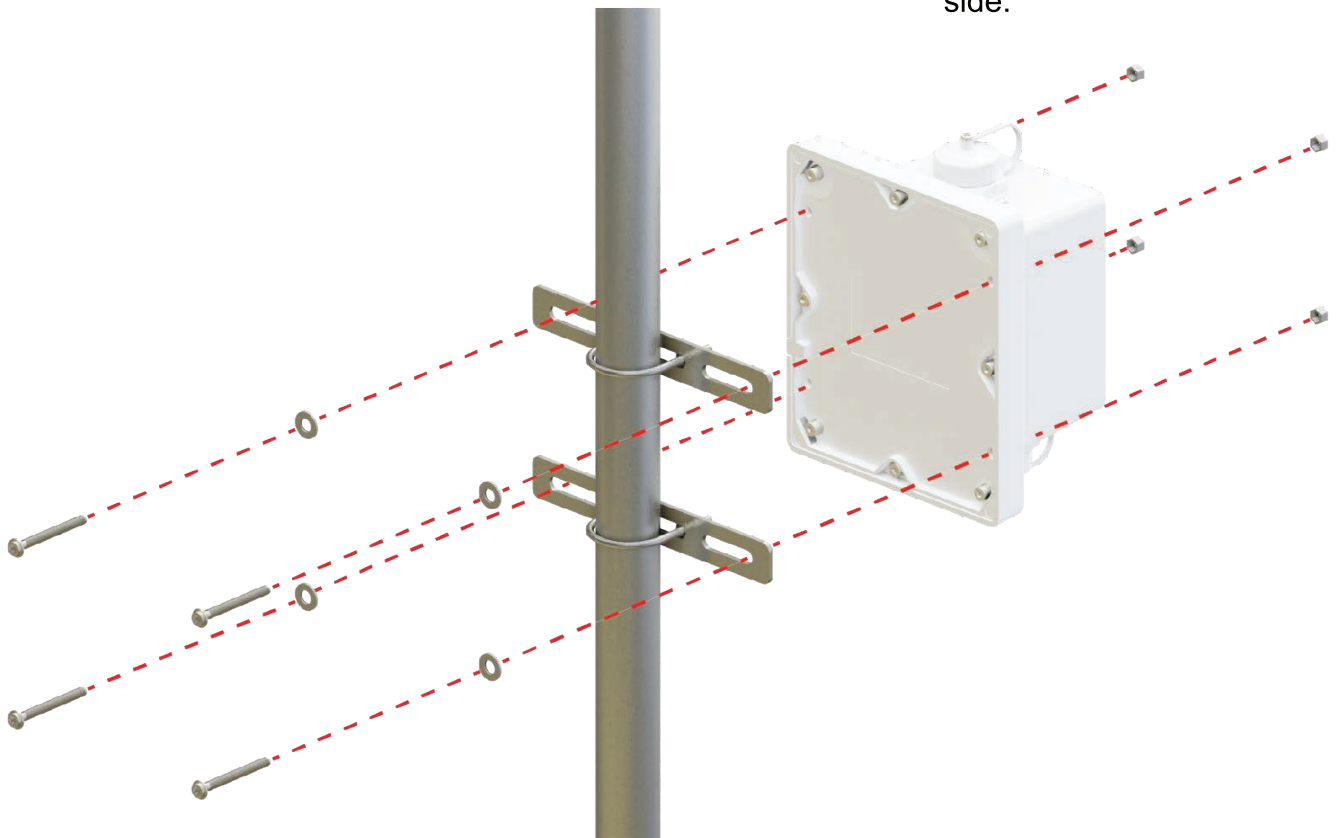
**DO NOT REMOVE THE AIR VENT**

The air vent keeps the BR1 IP67 watertight. It prevents internal condensation and resists the entry of water. **Warranty will be voided if the cap is unscrewed/removed.**

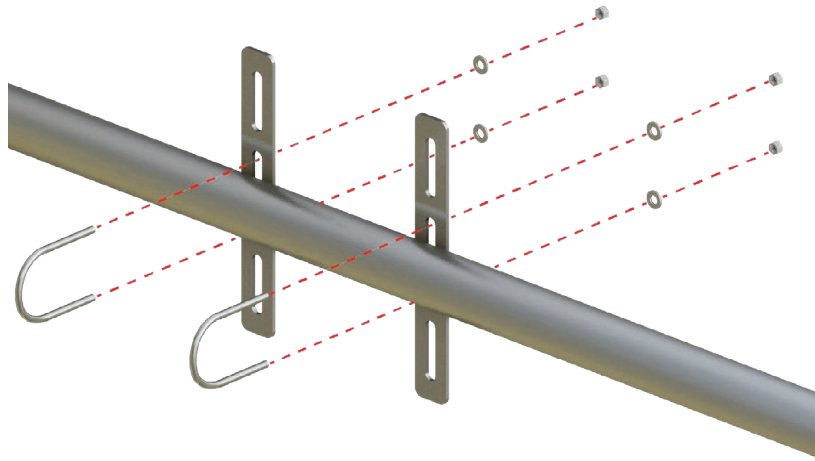
LAN  
(PoE In)

**Pole Mount****Steps:**

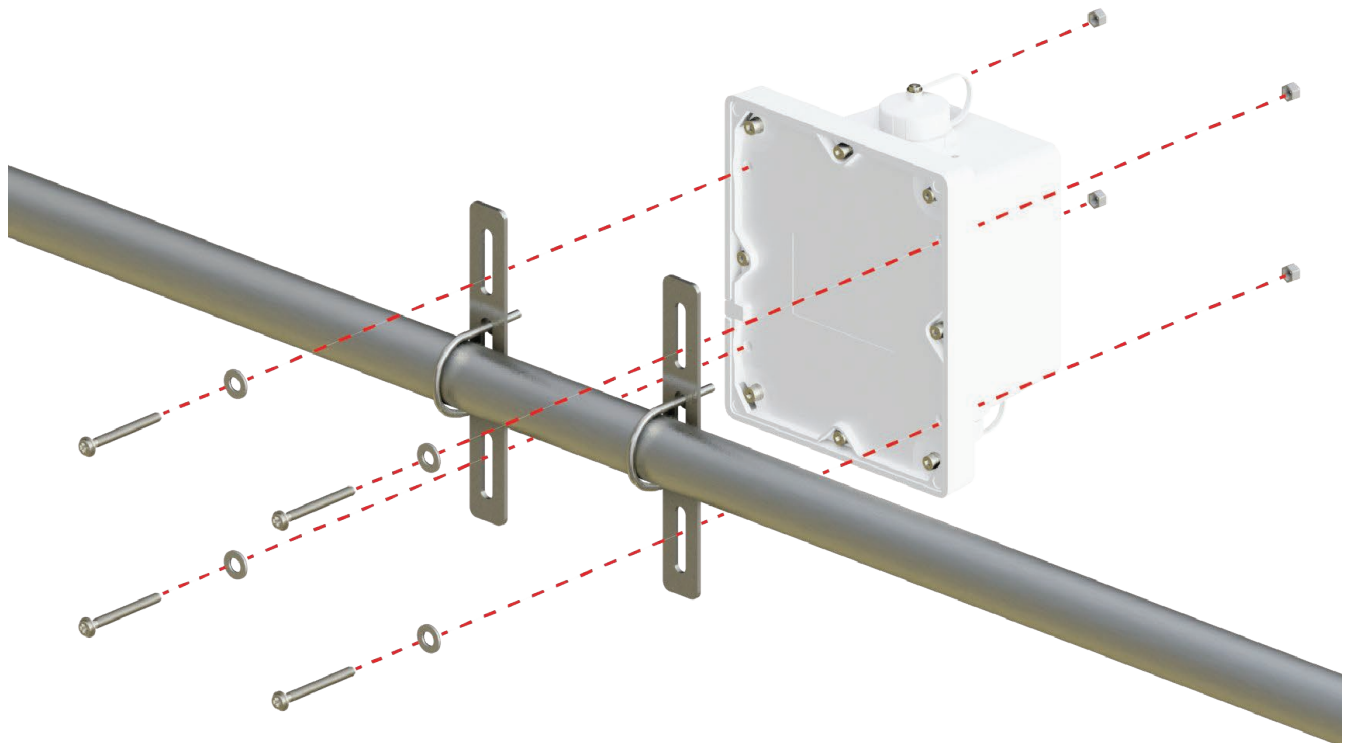
1. Place the flat brackets onto the pole horizontally.
2. Making use of the holes in the brackets, attach the two semicircular pole connectors to the bracket, securing it with washers and nuts.
3. Insert four long screws with washers through the holes in the brackets and into the designated holes in the BR1 IP67.
4. Tighten the nuts on each side.



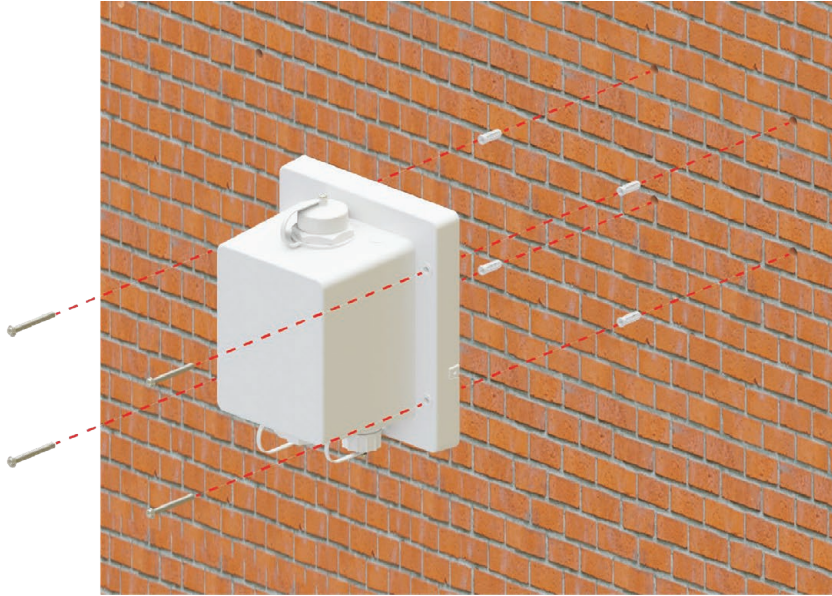
\* Mounting units are not provided and is used only for reference.

**Pole Mount****Steps:**

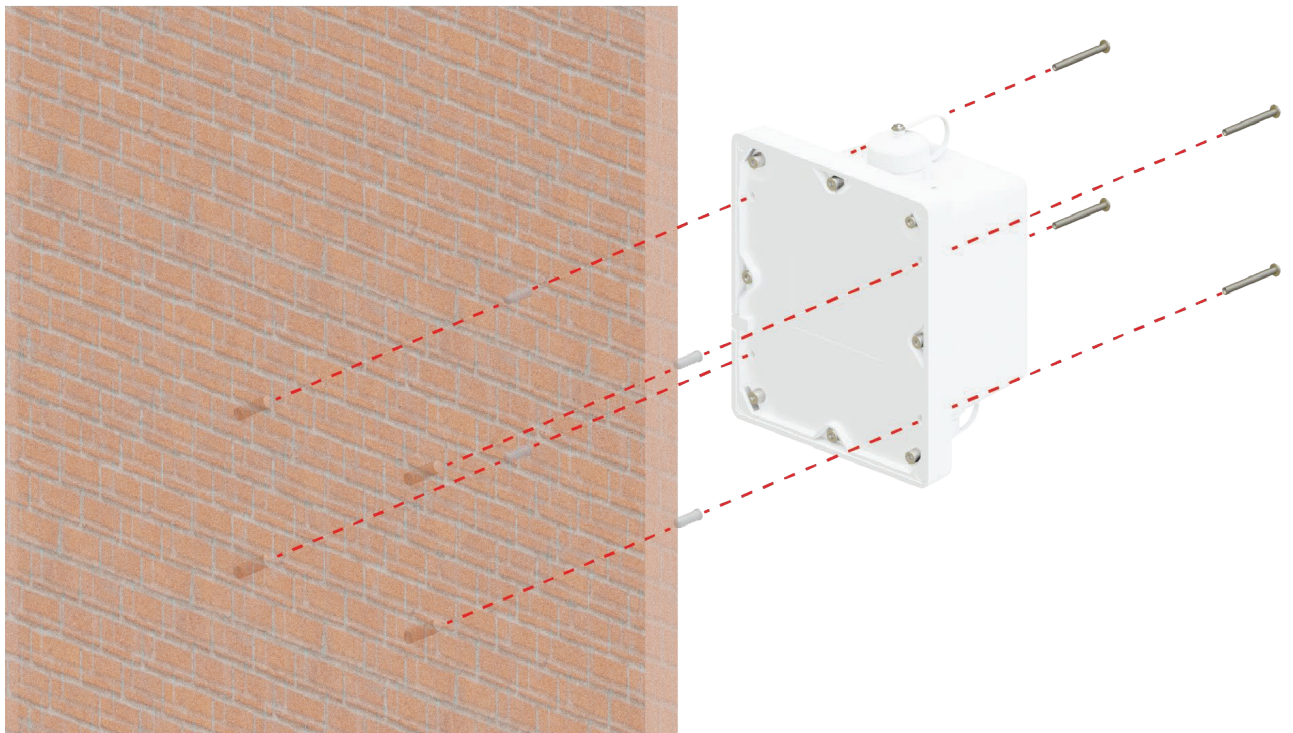
1. Place the flat brackets onto the pole vertically.
2. Making use of the holes in the brackets, attach the two semicircular pole connectors to the bracket, securing it with washers and nuts.
3. Insert four long screws with washers through the holes in the brackets and into the designated holes in the BR1 IP67.
4. Tighten the nuts on each side.



\* Mounting units are not provided and is used only for reference.

**Wall Mount****Steps:**

1. Drill four holes into the wall, matching the position of the holes in the BR1 IP67.
2. Insert wall plugs into each of the drilled holes.
3. Make sure the holes in the BR1 IP55 align with the drilled holes.
4. Secure it with four screws.



\* Mounting units are not provided and is used only for reference.